

Model

Tuca SX Wave

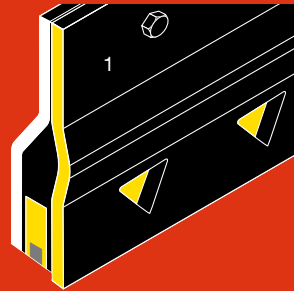
The super combination blade for all types of snowploughs and road-surfaces - with the new technology.



Snowplow blades



Technology

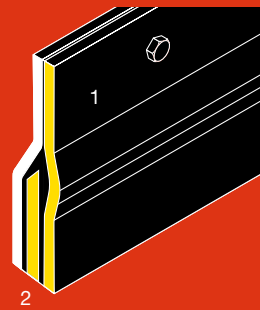


Instruction sheet

- 1 The blade must be mounted with front plate (1) in plowing direction.
- 2 Do not mount this blade on a polyurethane skid.
- 3 Torque must be according to the bolt grade (min 180Nm).
- 4 Bolts must be always replaced with a new blade.
- 5 Bolt fastening must be checked before plowing.

Kombi S 36 Wave

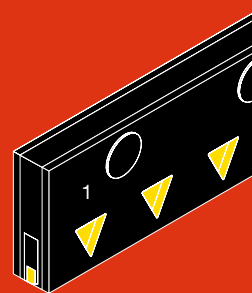
The standard for 20 years. – Wave optimized.



- 1 The blade must be mounted with front plate (1) in plowing direction.
- 2 Torque must be according to the bolt grade (min 180Nm).
- 3 If this blade is mounted on a polyurethane skid, use max. torque of 120Nm.
- 4 Bolts must be always replaced with a new blade.
- 5 Bolt fastening must be checked before plowing.
- 6 The blade must be replaced by reaching the red triangle wear indicator (2).

Tuca SX Underbody

The super combination blade for all types of paved road surfaces – with new technology.



- 1 The blade must be mounted with front plate (1) in plowing direction.
- 2 Do not mount this blade on a polyurethane skid.
- 3 Torque must be according to the bolt grade (min 180Nm).
- 4 Bolts must be always replaced with a new blade.
- 5 Bolt fastening must be checked before plowing.

Model

Kombi S Underbody

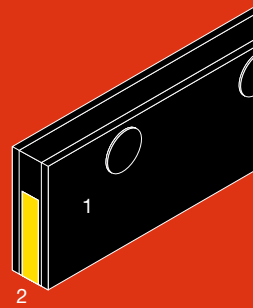
The standard combination blade for over 20 years.



Snowplow blades



Technology

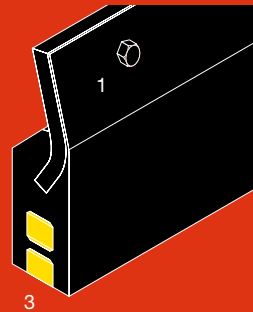


Instruction sheet

- 1 The blade must be mounted with front plate (1) in plowing direction.
- 2 Torque must be according to the bolt grade (min 180 Nm).
- 3 If this blade is mounted on a polyurethane skid, use max. torque of 120 Nm.
- 4 Bolts must be always replaced with a new blade.
- 5 Bolt fastening must be checked before plowing.
- 6 The blade must be replaced after the ceramic core (2) is worn out.

GK 5

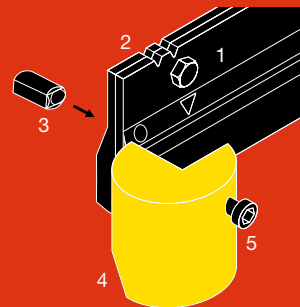
The low-noise and abrasion - resistant rubber-ceramic blade.



- 1 The blade must be mounted with front plate (1) in plowing direction.
- 2 Do not mount this blade on a polyurethane skid.
- 3 Torque must be according to the bolt grade (min 180 Nm).
- 4 Bolts must be always replaced with a new blade.
- 5 Bolt fastening must be checked before plowing.
- 6 The blade must be replaced after the ceramic core (3) is worn out.

Curbstone deflector

Optimum protection for all Küper combination Blades.



- 1 Push the sleeve (3) from the backside (2) into the blade.
- 2 Place the guard (5) on the front plate (1) of the blade.
- 3 Fasten the guard with a M16 8.8 grade bolt (4) through the sleeve.
- 4 Maximum torque is 210 Nm.
- 5 Bolt fastening must be checked before plowing.